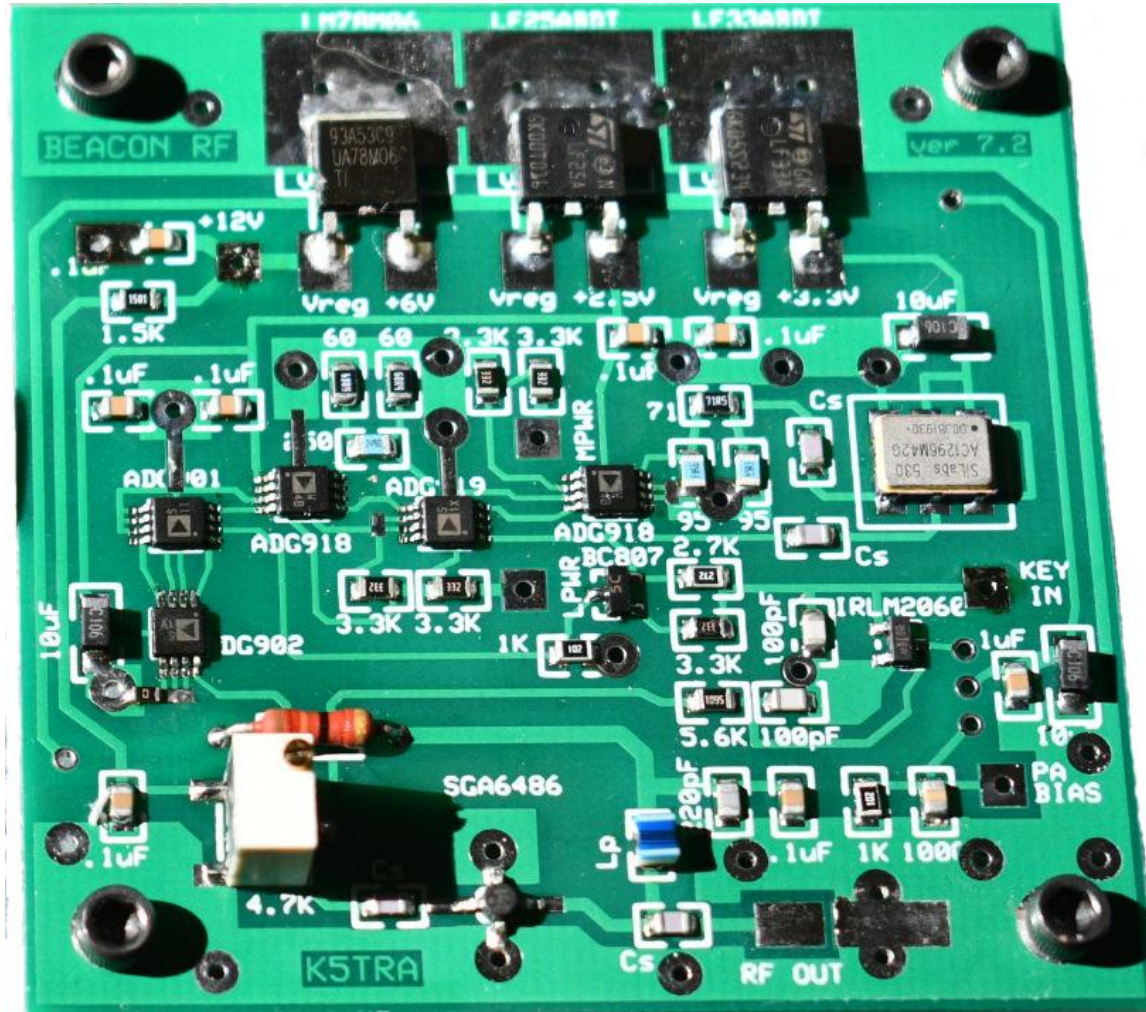


# 1296 MHz BEACON

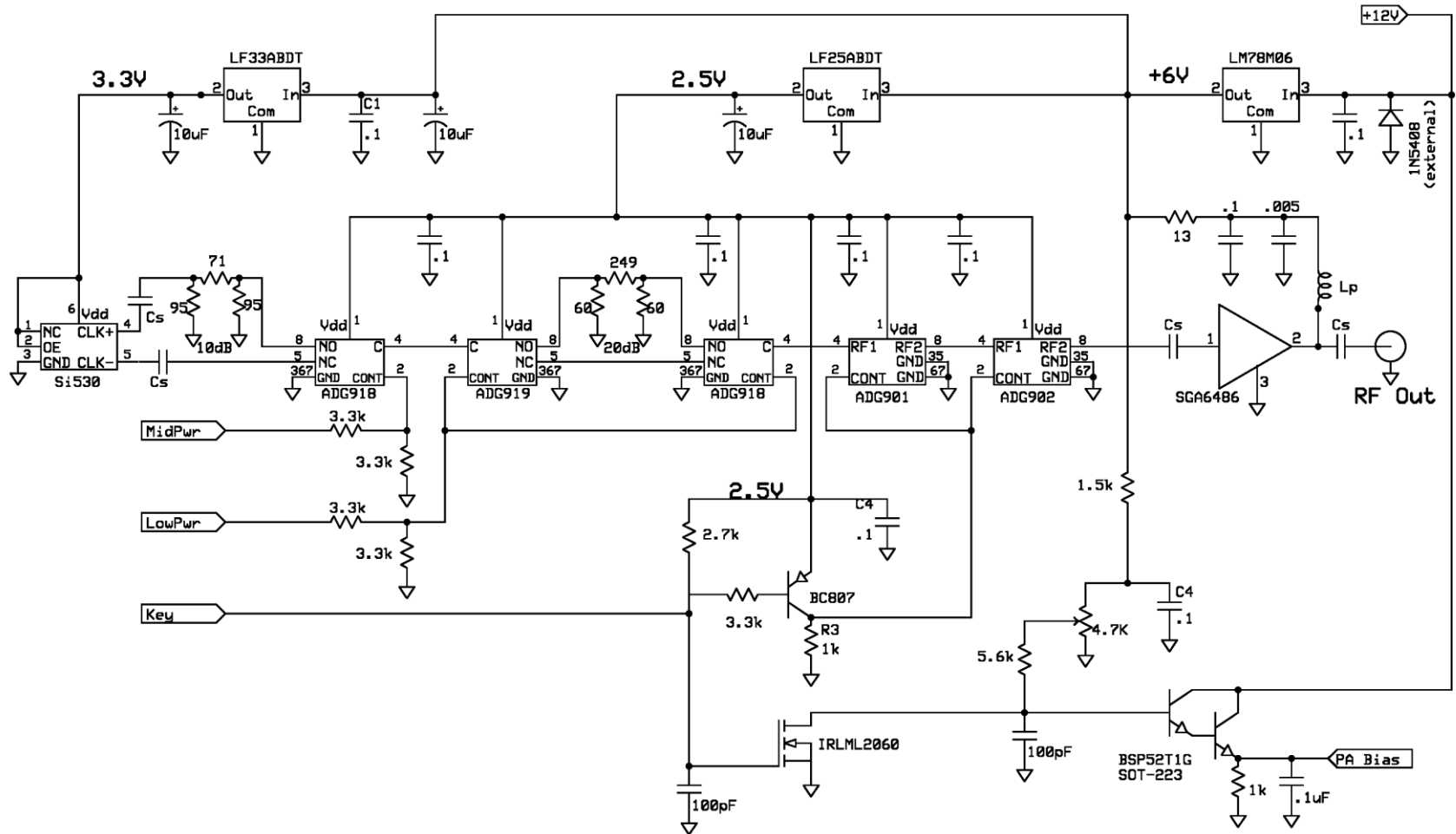


*For Roadrunners Microwave Group*

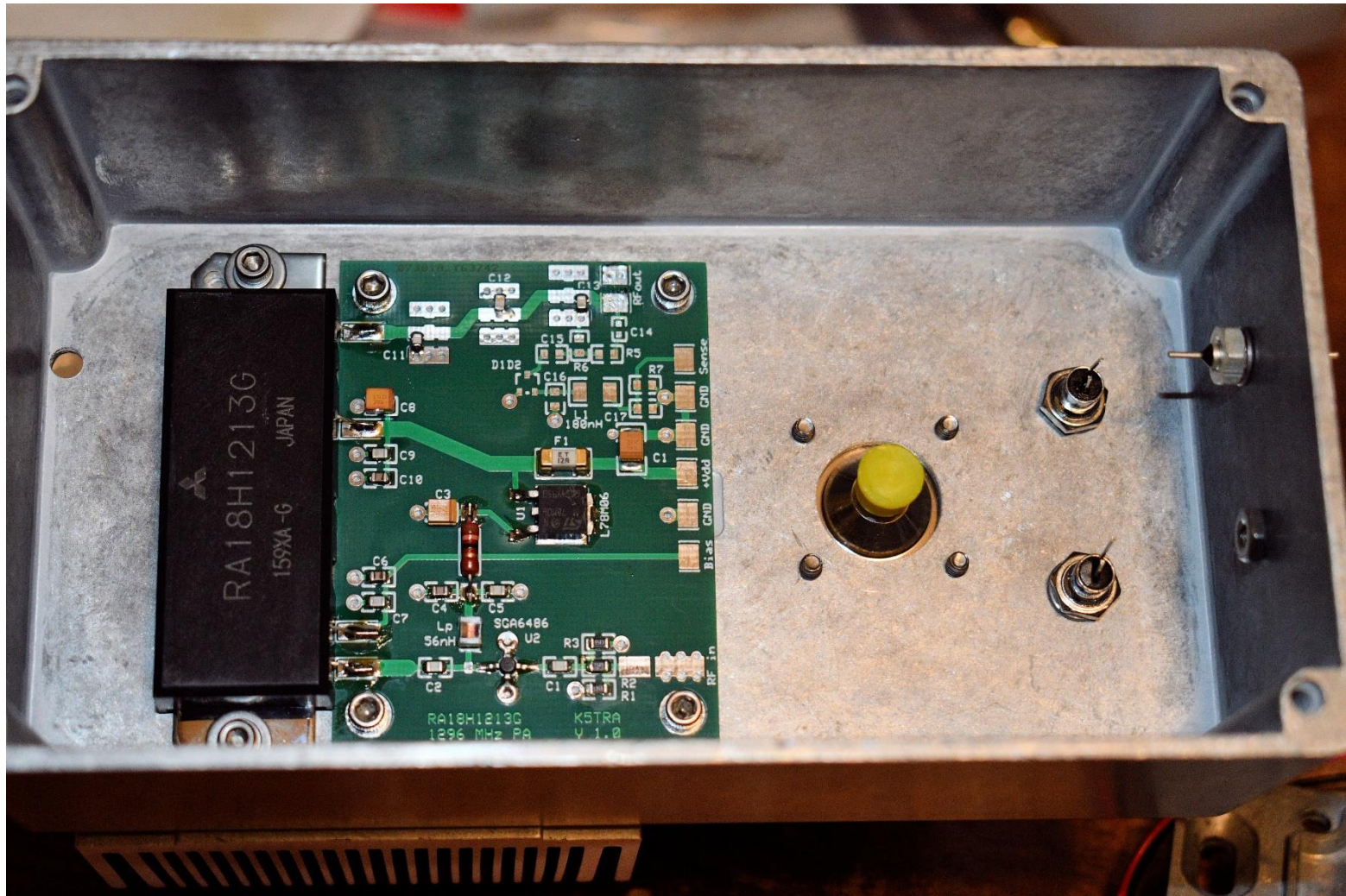
# 1296 MHz BEACON – RF BOARD



# RF BOARD SCHEMATIC

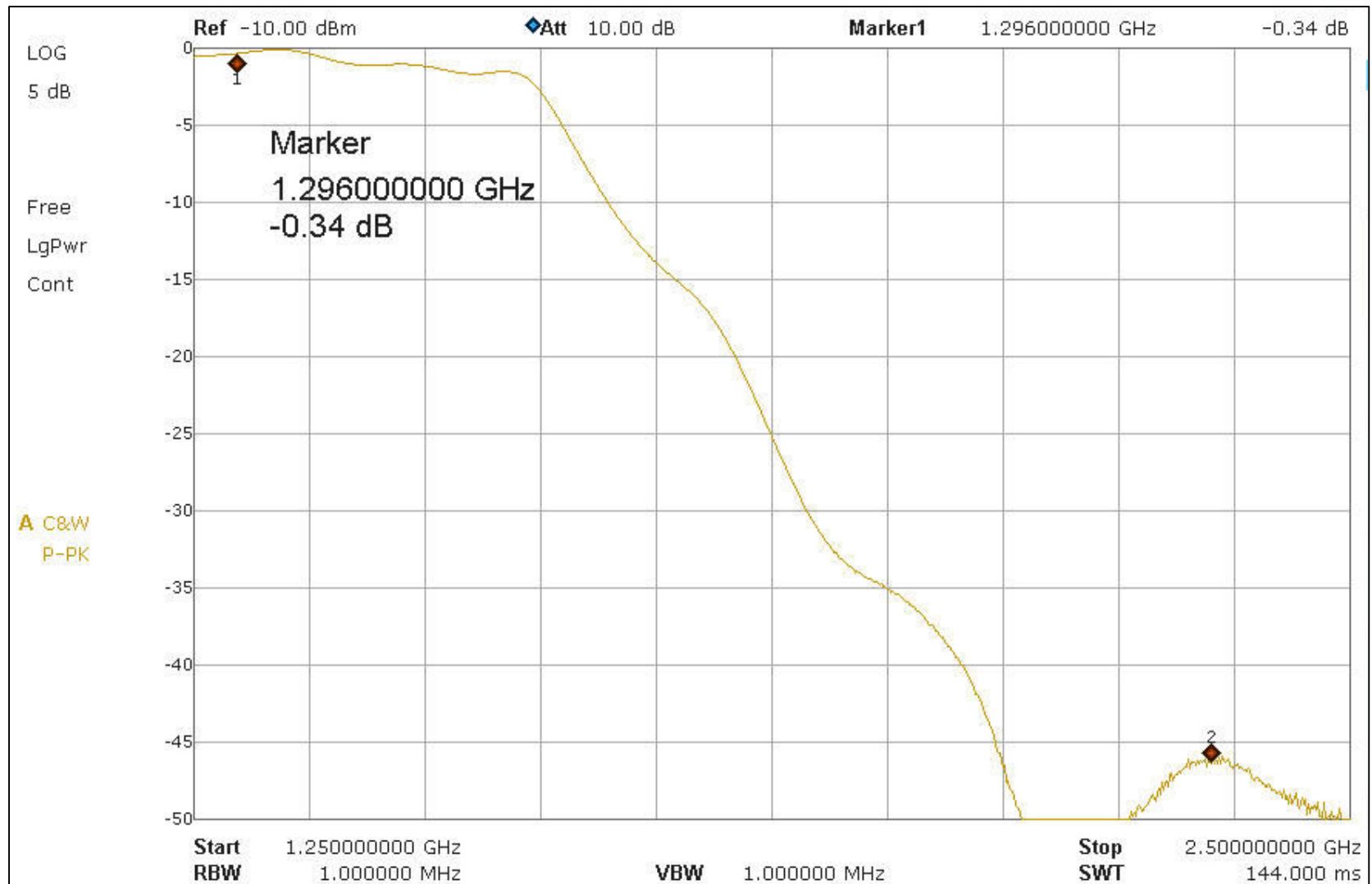


# 23 CM BEACON PA BOARD

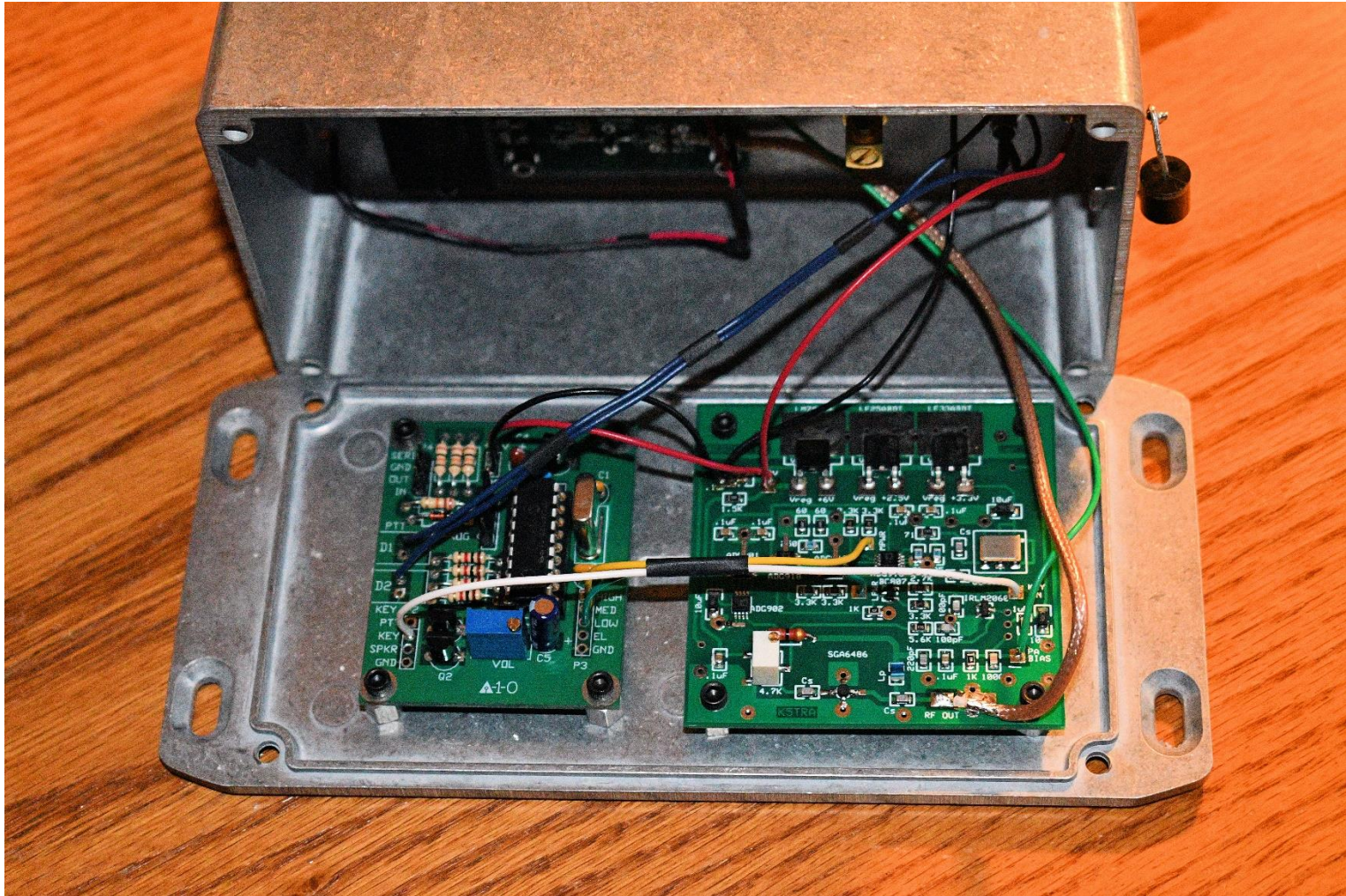




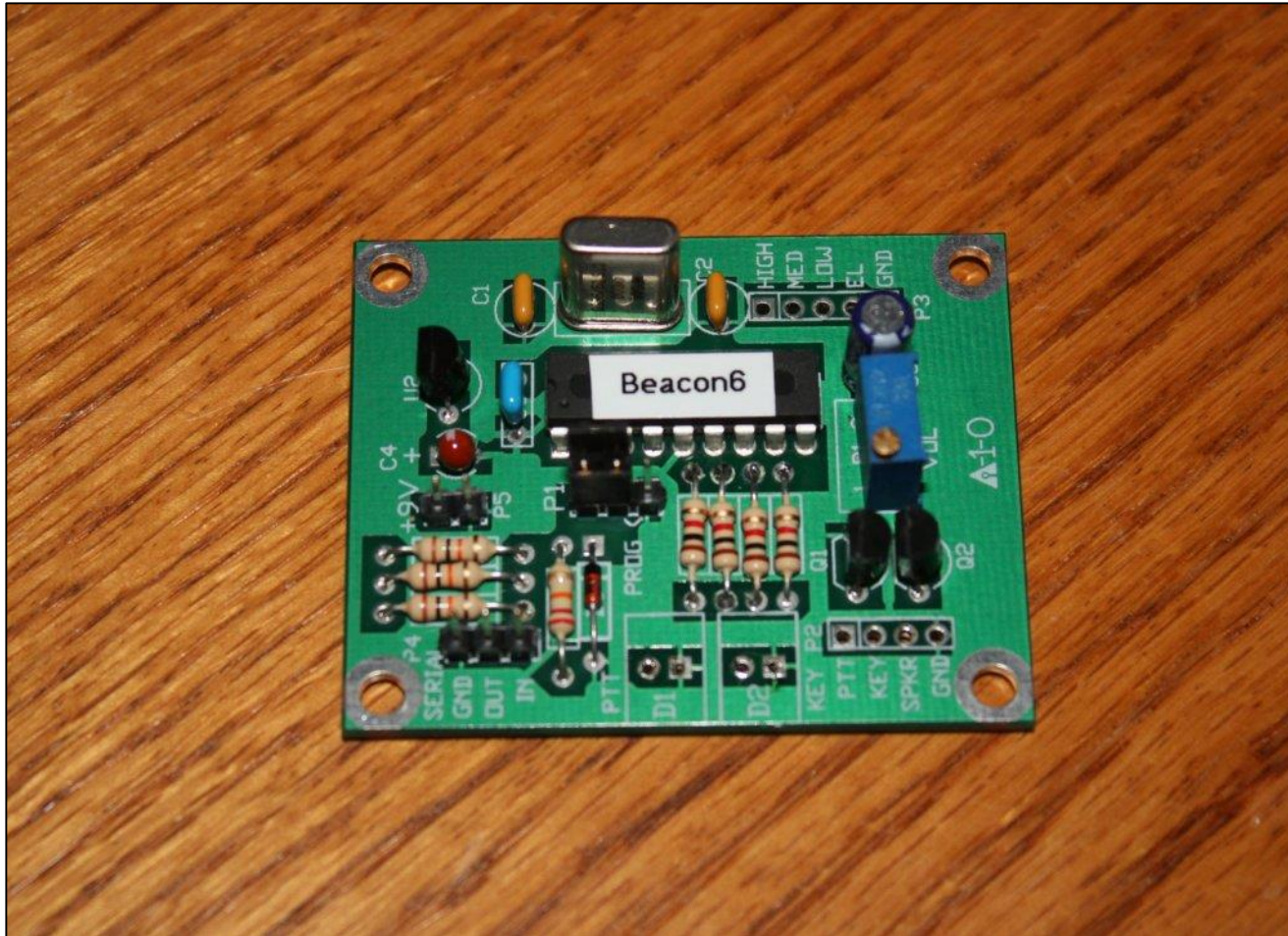
# 1296 MHz LPF RESPONSE



# 23 CM BEACON INTERIOR



# FREAKIN BEACON CONTROL BOARD





# Summary

- New 1296 MHz beacon – 3 power levels
  - 15W
  - 1.5W
  - 150 mW
- Common RF and control board design
- Custom 23 CM PA interface board
  - SGA6486 driver
  - Printed LPF
- Mitsubishi PA module: RA18H1213G
- Two 23 CM beacons built:
  - Roadrunners Microwave Group (Austin)
  - Hamsters (San Antonio)